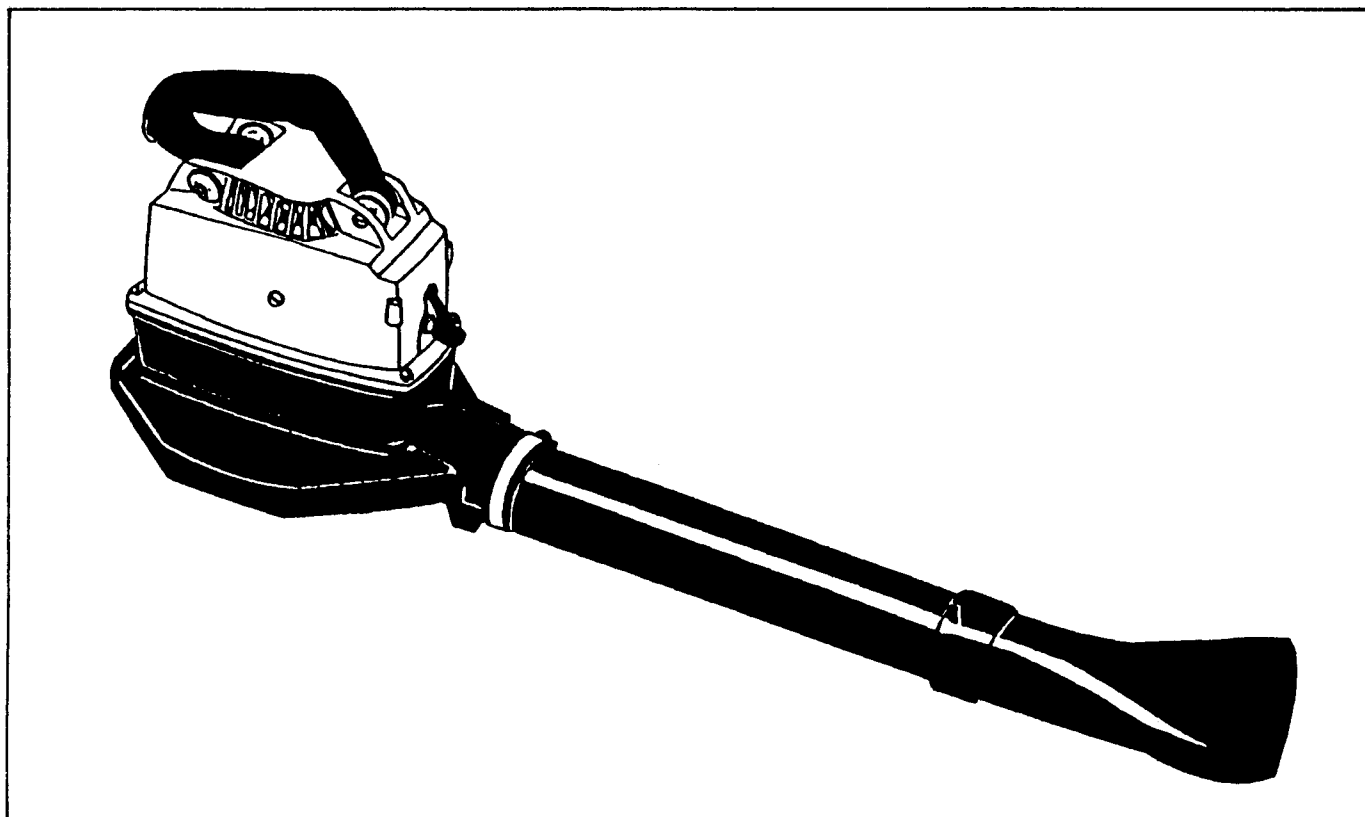


22HB 28HBV



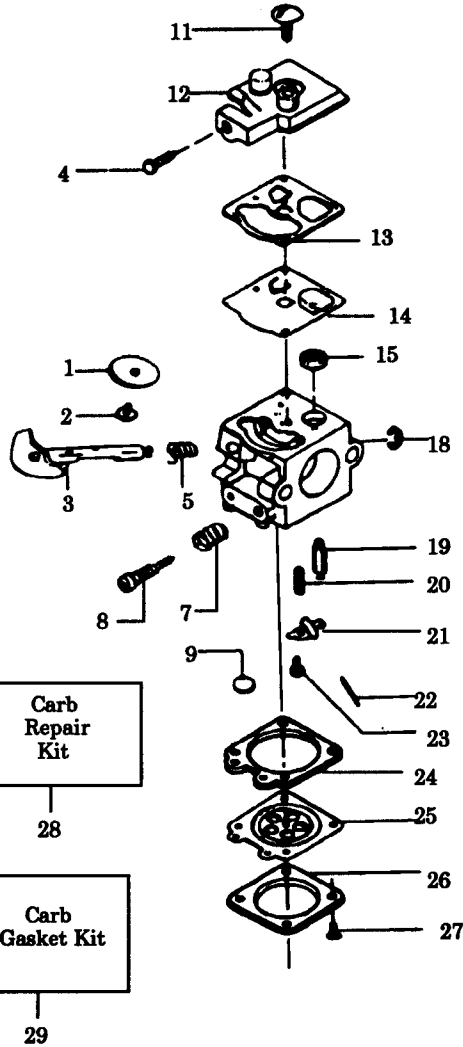
1. 1988

Spare parts

Pièces détachées

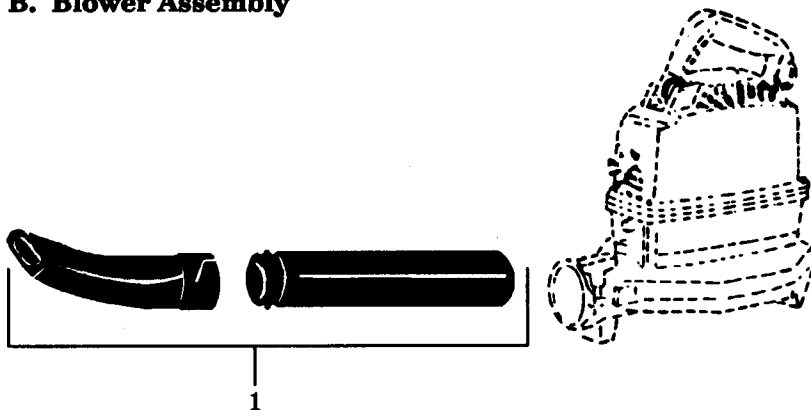
A. Carburetor Assembly

⚠ WARNING
All repairs, adjustments and maintenance not described in the Operator's Manual must be performed by qualified service personnel.



| KEY NO. | PART NO. | DESCRIPTION |
|---------|------------|--|
| 1 | 530-035197 | Valve Throttle |
| 2 | 530-035015 | Screw-Throttle Valve |
| 3 | 530-035132 | Shaft Ass'y.-Throttle |
| 4 | 530-035156 | Idle Speed Screw |
| 5 | 530-035138 | Spring-Throttle Return |
| 7 | 530-035200 | Spring-High Speed Mixture Needle |
| 8 | 530-035198 | Needle-High Speed Mixture |
| 9 | 530-035162 | * Plug-5/16 Dia. Welch |
| 11 | 530-035017 | Screw-Pump Cover |
| 12 | 530-035191 | Cover-Fuel Pump |
| 13 | 530-035164 | + *Gasket-Fuel Pump |
| 14 | 530-035166 | + *Diaphragm-Fuel Pump |
| 15 | 530-035178 | Screen-Fuel Inlet |
| 18 | 530-035007 | Ring-Throttle Retainer |
| 19 | 530-035106 | * Valve-Inlet Needle |
| 20 | 530-035139 | * Spring-Metering Lever |
| 21 | 530-035031 | * Lever-Metering |
| 22 | 530-035028 | * Pin-Metering Lever |
| 23 | 530-035016 | * Screw-Metering Lever Pin |
| 24 | 530-035151 | + *Gasket-Metering Diaphragm |
| 25 | 530-035014 | + *Diaphragm-Metering |
| 26 | 530-035003 | Cover-Metering Diaphragm |
| 27 | 530-035021 | Screw Ass'y.-Metering Cover |
| 28 | 530-035199 | Kit-Carb. Kwik Repair (+ Indicates Contents) |
| 29 | 530-035186 | Kit-Carb. Gasket/Diaphragm (*Indicates Contents) |

B. Blower Assembly



| KEY NO. | PART NO. | DESCRIPTION |
|-----------|-------------------------------|--|
| 1 | 530-069271 | Blower Tube Kit |
| Not Shown | - 530-067366 530-067367 | Operator's Manual Model 22HB Model 28HBV |

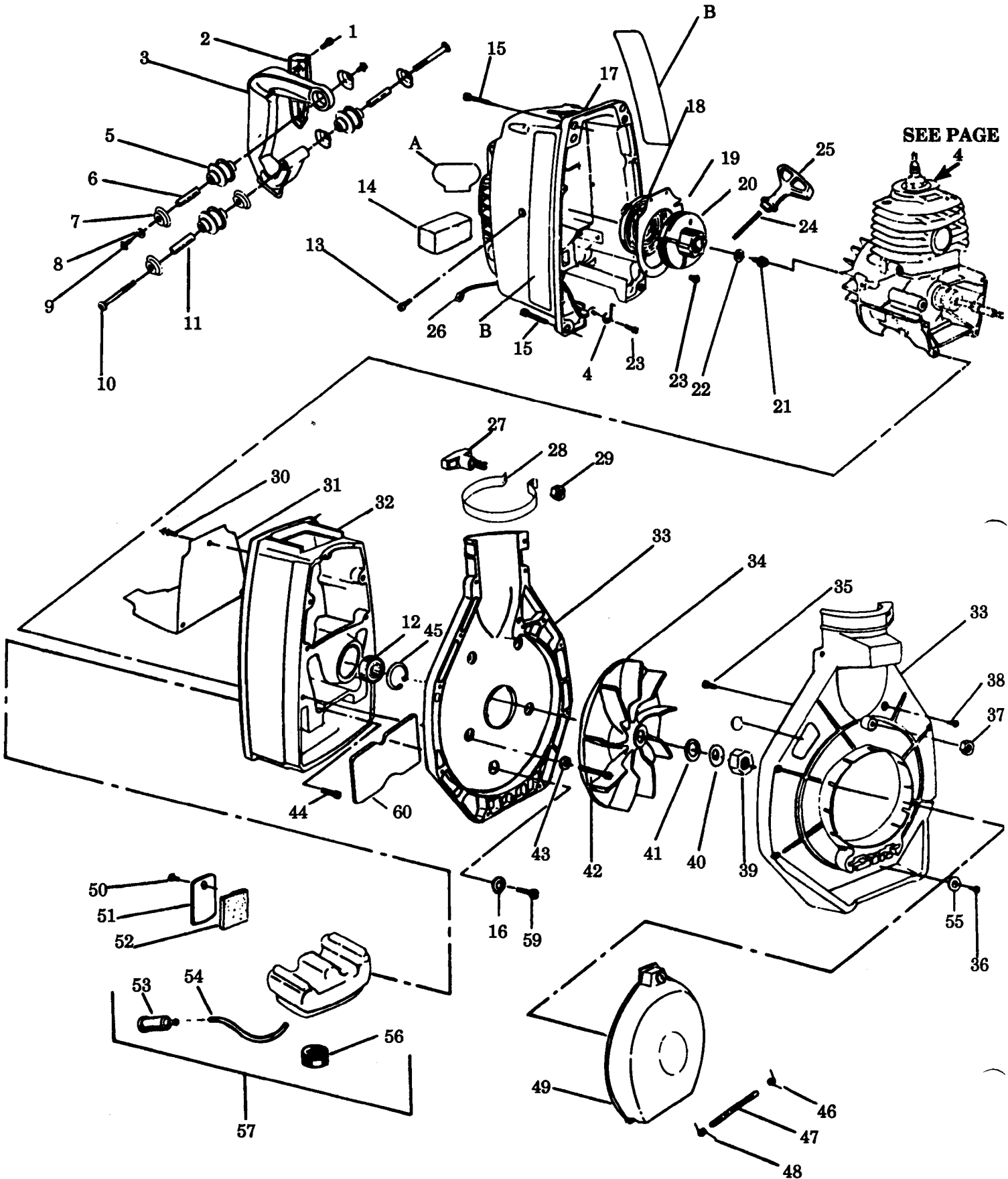
✓ = Part Change

| | |
|--|------------------|
| PARTS LIST NO. 530-067369 - 8/29/88 | |
| Page No. 2 | Replaces None |

HUSQVARNA PARTS LIST

Note: Illustrations may differ from actual models due to design changes

| |
|---|
| BLOWER MODEL: 22HB BLOWER/VAC MODEL: 28HBV |
|---|



✓ = Part Change

| | | | |
|--|------------------|----------------------|---|
| PARTS LIST NO. 530-067369 - 8/29/88 | | HUSQVARNA PARTS LIST | BLOWER MODEL: 22HB |
| Page No. 3 | Replaces None | | Note: Illustrations may differ from actual models due to design changes |

| KEY NO. | PART NO. | DESCRIPTION | KEY NO. | PART NO. | DESCRIPTION |
|---------|-------------|-------------------------|---------|-------------|--|
| 1 | 530-015635 | Screw | 31 | 530-026776 | Heat Deflector |
| 2 | 530-094212 | Handle Cover | 32 | 530-010824* | Shroud (Incl. #12 & 45) |
| 3 | 530-010827 | Handle Ass'y. | 33 | 530-069269 | Blower Hsg. Kit (Incl. #36, 46-49,55, & Vac. Tubes) |
| 4 | 530-027157 | Static Ground Wire | | | |
| 5 | 530-026994 | Handle Isolator | 34 | 530-094215 | Impeller |
| 6 | 530-015343 | Isolator Spacer (Front) | 35 | 530-015661 | Screw |
| 7 | 530-026163 | Isolator Cup | 36 | 530-015495 | Screw |
| 8 | 530-015629 | Washer | 37 | 530-001543 | Nut |
| 9 | 530-015628 | Screw | 38 | 530-015367 | Screw |
| 10 | 530-015561 | Screw | 39 | 530-015644 | Nut |
| 11 | 530-015342 | Isolator Spacer (Rear) | 40 | 530-015441 | Washer |
| 12 | 530-032091* | Ball Bearing (Shroud) | 41 | 530-015626 | Washer |
| 13 | 530-015700 | Screw | 42 | 530-015632 | Screw |
| 14 | 530-024371 | Air Filter | 43 | 530-015682 | Washer |
| 15 | 530-015687 | Screw | 44 | 530-015168 | Screw |
| 16 | 530-015123 | Washer | 45 | 530-001516 | Shroud Bearing Retainer |
| 17 | 530-029081 | Fan Housing | 46 | 530-015667 | Spring-Tension (Right) |
| 18 | 530-042023 | Starter Pulley Spring | 47 | 530-015647 | Pivot Pin |
| 19 | 530-026780 | Air Baffle | 48 | 530-015672 | Spring-Tension (Left) |
| 20 | 530-069200 | Pulley Replacement Kit | 49 | 530-094241 | Inlet Door Ass'y. |
| 21 | 530-015479 | Screw | 50 | 530-015638 | Screw |
| 22 | 530-015123 | Washer | 51 | 530-015637 | Fuel Tank Retainer |
| 23 | 530-015544 | Screw | 52 | 530-026781 | Fuel Tank Cushion |
| 24 | 530-069232 | Rope Kit | 53 | 530-010897 | Fuel Pick-Up Ass'y |
| 25 | 530-026735 | Starter Rope Handle | 54 | 530-069247 | Line Kit |
| 26 | 530-027175 | Ground Wire | 55 | 530-015382 | Washer |
| 27 | 530-069252 | "T" Handle Kit | 56 | 530-010729 | Fuel Cap Ass'y. (Incl. O-Ring) |
| 28 | 530-094222 | Blower Tube Clamp | 57 | 530-010815 | Fuel Tank Ass'y. (Incl. #53,54 & 56) |
| 29 | 530-015197 | Nut | | | |
| 30 | 530-015636 | Screw | 59 | 530-015683 | Screw |
| | | | 60 | 530-027350 | Fuel Tank Shield |
| | | | Decals | | |
| | | | A | 530-029034 | Instruction Decal |
| | | | B | - | Fan Housing Decal (Left & Right) |
| | | | | 530-029031 | Model 22HB |
| | | | | 530-029032 | Model 28HBV |
| | | | C | 530-027334 | Blower/Vac Warning Decal |

* When removing or installing the bearing (#32091), the area of the shroud (#10824) receiving the bearing must be heated to approximately 300°F. to avoid damaging the shroud.

PARTS LIST NO.
530-067369 - 8/29/88

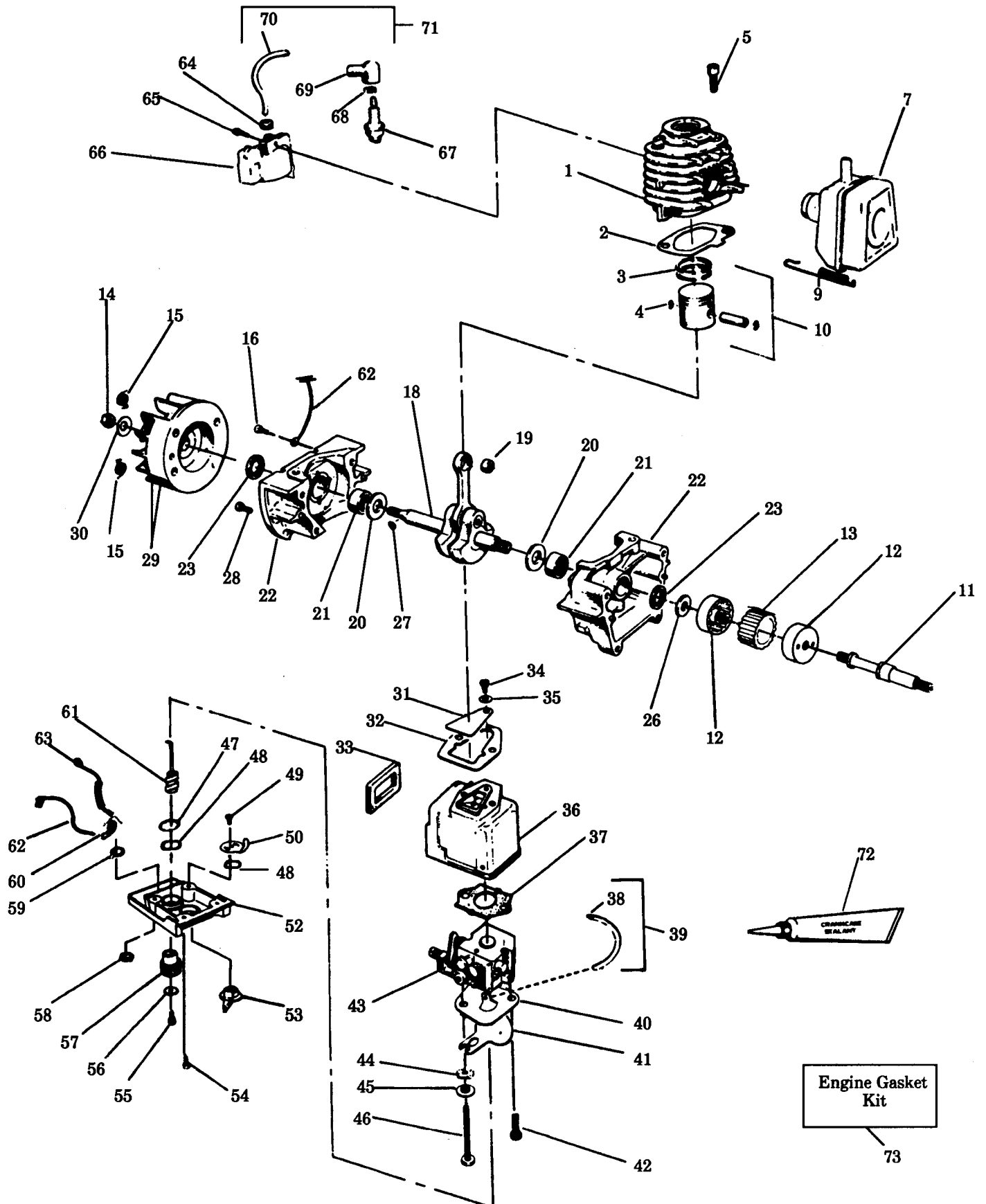
HUSQVARNA PARTS LIST

BLOWER MODEL:
22HB
BLOWER/VAC
MODEL: 28HBV

Page No. 4

Replaces
None

Note: Illustrations may differ from actual models due to design changes



✓ = Part Change

| | | | |
|--|------------------|-----------------------------|---|
| PARTS LIST NO. 530-067369 - 8/29/88 | | HUSQVARNA PARTS LIST | BLOWER MODEL: 22HB BLOWER/VAC MODEL: 28HBV |
| Page No. 5 | Replaces None | | Note: Illustrations may differ from actual models due to design changes |

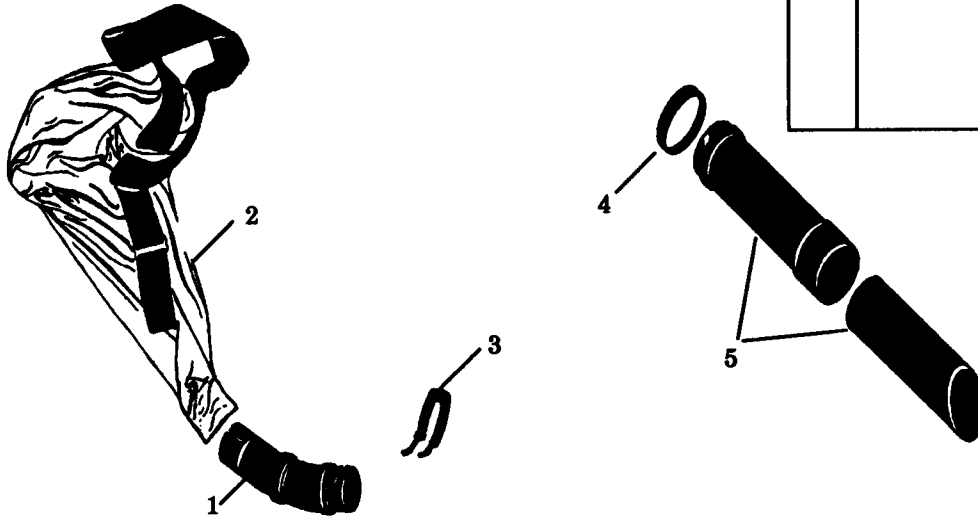
| KEY NO. | PART NO. | DESCRIPTION | KEY NO. | PART NO. | DESCRIPTION |
|---------|-------------|--|---------|--------------|--|
| 1 | - | Cylinder | 36 | 530-026818 | Carburetor Case |
| | 530-012168 | Model 22HB | 37 | * 530-019157 | Carburetor Gasket |
| | 530-012192 | Model 28HBV | 38 | 530-026981 | Fuel Line Fitting |
| 2 | *530-019111 | Cylinder Gasket | 39 | 530-010875 | Fuel Line & Fitting Ass'y. |
| 3 | - | Piston Ring | 40 | 530-026797 | Choke Guide Plate |
| | 530-026413 | Model 22HB | 41 | 530-026772 | Choke Shutter |
| | 530-026681 | Model 28HBV | 42 | 530-015674 | Screw |
| 4 | 530-015162 | Wrist Pin Retainer | 43 | 530-035196 | Carburetor |
| 5 | 530-015239 | Screw | 44 | 530-015254 | Wave Washer |
| 7 | 530-069245 | Muffler Ass'y. | 45 | 530-015673 | Spacer |
| 9 | 530-024903 | Muffler Attachment Spring | 46 | 530-015630 | Screw |
| 10 | - | Piston Kit (Incl. #3,4 & Pin) | 47 | 530-015654 | Retaining Ring |
| | 530-010753 | Model 22HB | 48 | 530-015147 | Wave Washer |
| | 530-069203 | Model 28HBV | 49 | 530-015407 | Screw |
| 11 | 530-069242 | Shaft Kit | 50 | 530-026773 | Choke Actuator |
| 12 | 530-012145 | Shaft Coupling | 52 | 530-026764 | Carb. Case Cover |
| 13 | 530-094243 | Plastic Coupling | 53 | 530-023807 | Choke Knob |
| 14 | 530-626605 | Flywheel Nut | 54 | 530-015675 | Screw |
| 15 | 530-023817 | Starter Dog Spring | 55 | 530-015660 | Screw |
| 16 | 530-015004 | Screw | 56 | 530-015123 | Washer |
| 18 | - | Crankshaft & Rod Ass'y. | 57 | 530-015614 | Throttle Knob |
| | 530-027273 | Model 22HB | 58 | 530-023575 | Grounding Switch Nut |
| | 530-010853 | Model 28HBV | 59 | 530-024569 | Washer |
| 19 | 530-032092 | Piston Pin Bearing Model 28HBV Only | 60 | 530-069204 | Toggle Switch Kit (Incl. #58 & 59) |
| 20 | 530-015351 | Washer | 61 | 530-026771 | Throttle Wire Ass'y. |
| 21 | 530-032029 | Crankshaft Bearing | 62 | 530-026951 | Ignition Wire |
| 22 | 530-010757 | Crankcase Ass'y. (Incl. #21, 23 & 28) | 63 | 530-026829 | Ground Wire |
| 23 | *530-019059 | Crankcase Seal | 64 | 530-024435 | Plug Wire Grommet |
| 26 | 530-001717 | Coupling Washer | 65 | 530-015128 | Screw |
| 27 | 530-015126 | Flywheel Key | 66 | 530-039124 | Ignition Module |
| 28 | 530-015168 | Screw | 67 | 530-030058 | Spark Plug (RCJ-8) |
| 29 | 530-039111 | Flywheel Ass'y. | 68 | 530-003933 | Spark Plug Lead Connector |
| 30 | 530-015127 | Flywheel Washer | 69 | 530-003934 | Spark Plug Boot |
| 31 | 530-024438 | Reed Valve | 70 | 530-039082 | High Tension Lead Wire |
| 32 | *530-019108 | Carburetor Case to Crankcase Gasket | 71 | 530-039103 | High Tension Lead Ass'y. (Incl. #68,69 & 70) |
| 33 | *530-019105 | Carburetor Case Seal | 72 | 530-030054 | Crankcase Sealant (Not Supplied With Unit) |
| 34 | 530-015241 | Screw | 73 | 530-069219 | Engine Gasket Kit(*Indicates Contents) |
| 35 | 530-023367 | Washer | | | |

*Indicates Engine Gasket Kit Contents

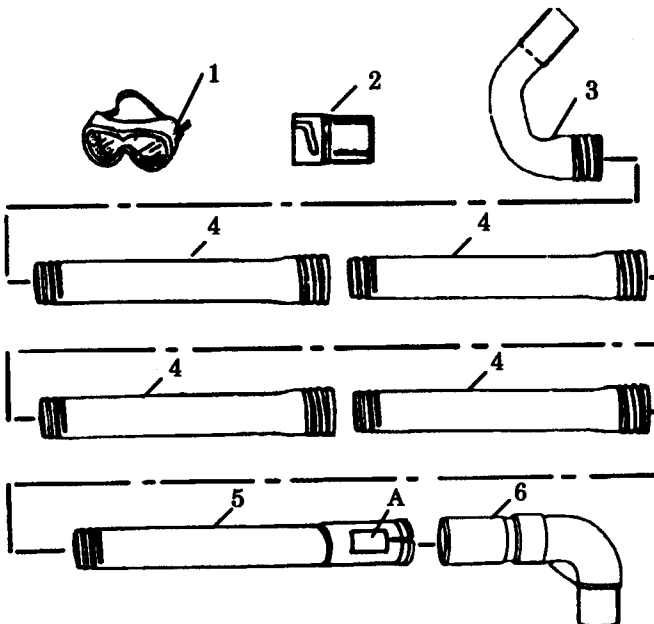
| | | | |
|--|------------------|----------------------|---|
| PARTS LIST NO. 530-067369 - 8/29/88 | | HUSQVARNA PARTS LIST | BLOWER MODEL: 22HB BLOWER/VAC MODEL: 28HBV |
| Page No. 6 | Replaces None | | |

VAC ATTACHMENT KIT #952-703529

| KEY NO. | PART NO. | DESCRIPTION |
|---------|------------|----------------------------|
| 1 | 530-094654 | Elbow |
| 2 | 530-069272 | Vacuum Bag Kit(Incl. #1) |
| 3 | 530-010850 | Rear Handle Ass'y. |
| 4 | 530-094660 | Spacer |
| 5 | 530-069270 | Vacuum Tube Kit (Incl. #4) |



GUTTER ATTACHMENT KIT #952-703530



| KEY NO. | PART NO. | DESCRIPTION |
|---------|------------|----------------|
| 1 | 530-062003 | Goggles |
| 2 | 530-351416 | Coupler |
| 3 | 530-094426 | Nozzle |
| 4 | 530-094425 | Extension Tube |
| 5 | 530-094424 | Pivot Tube |
| 6 | 530-094518 | Elbow |
| A | 530-029036 | Warning Decal |

✓ = Part Change